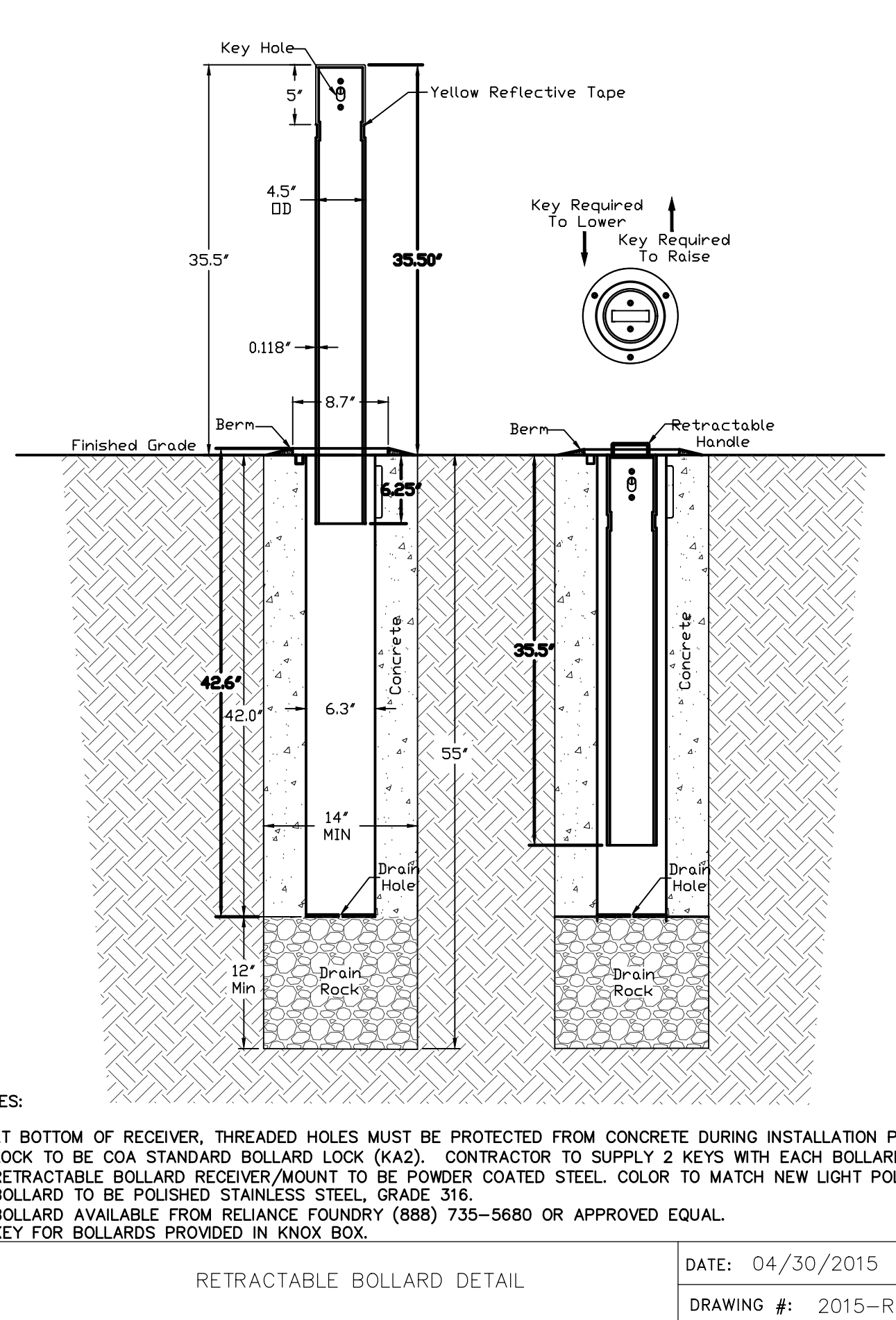
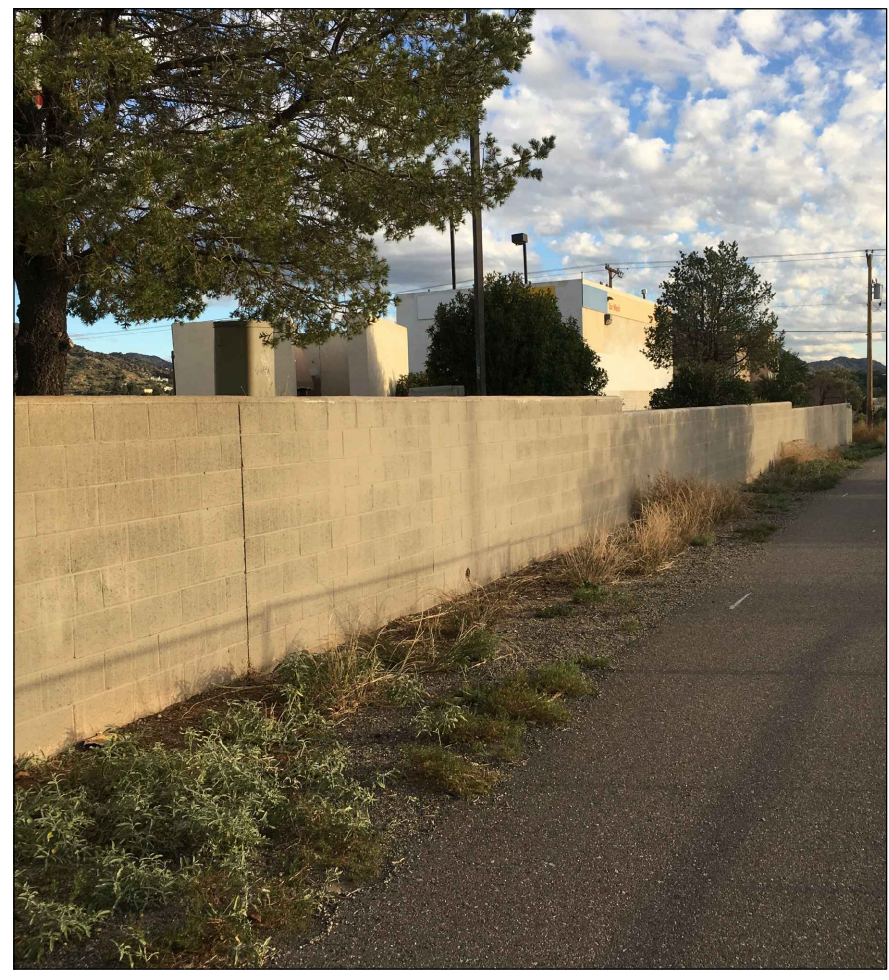
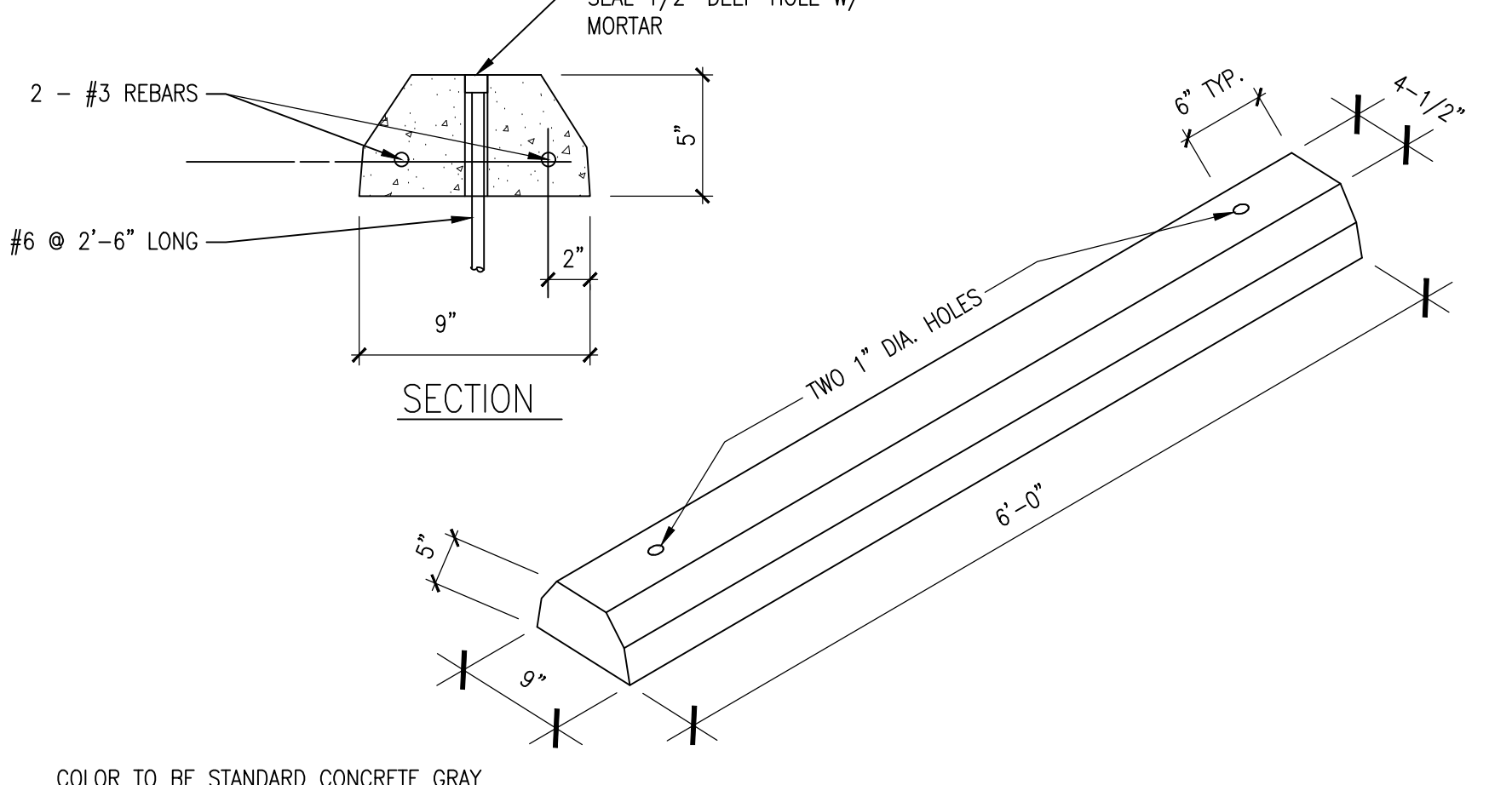


**A5** **AS501** FREESTANDING SITE IDENTIFICATION SIGN DETAIL

SCALE: 1/2" = 1' - 0"

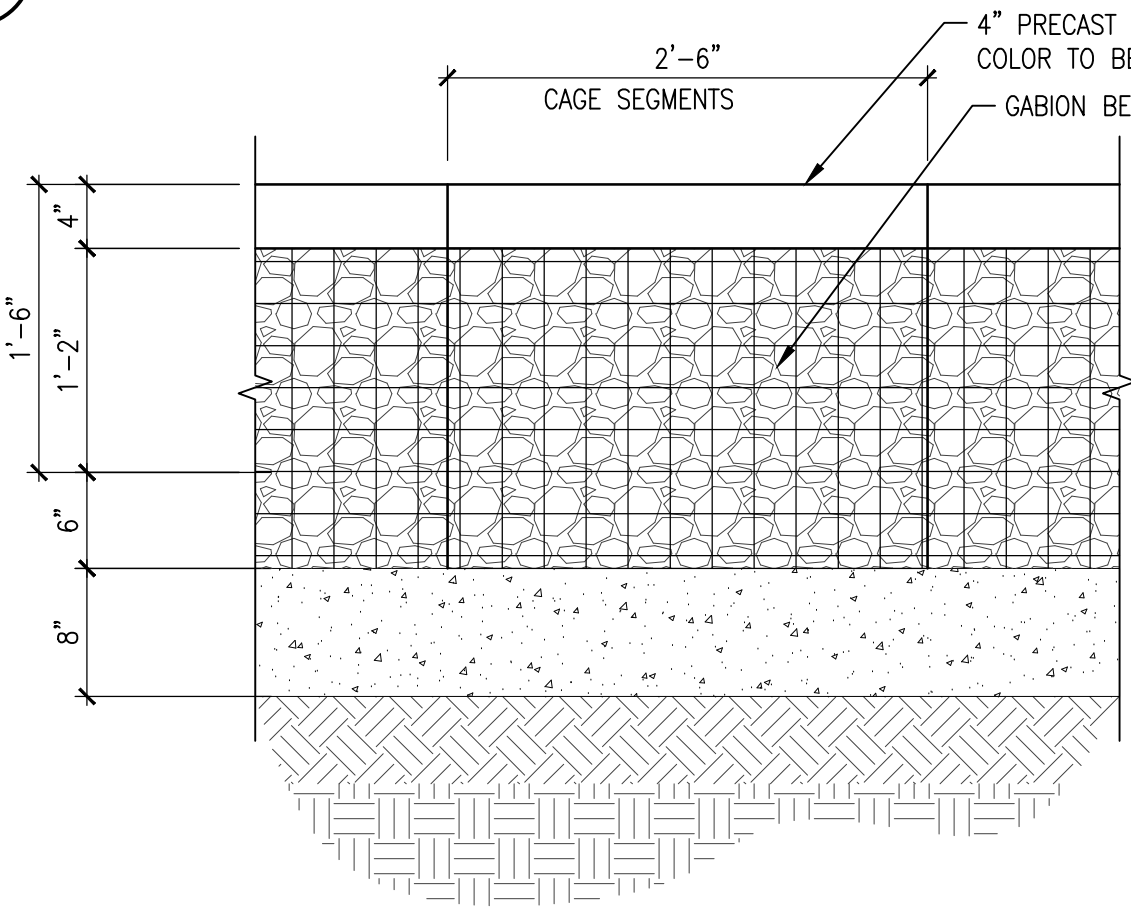


**RETRACTABLE BOLLARD DETAIL**  
 DATE: 04/30/2015  
 DRAWING #: 2015-RB



**E4** **AS501** WHEEL BUMPER DETAIL

SCALE: 1" = 1' - 0"



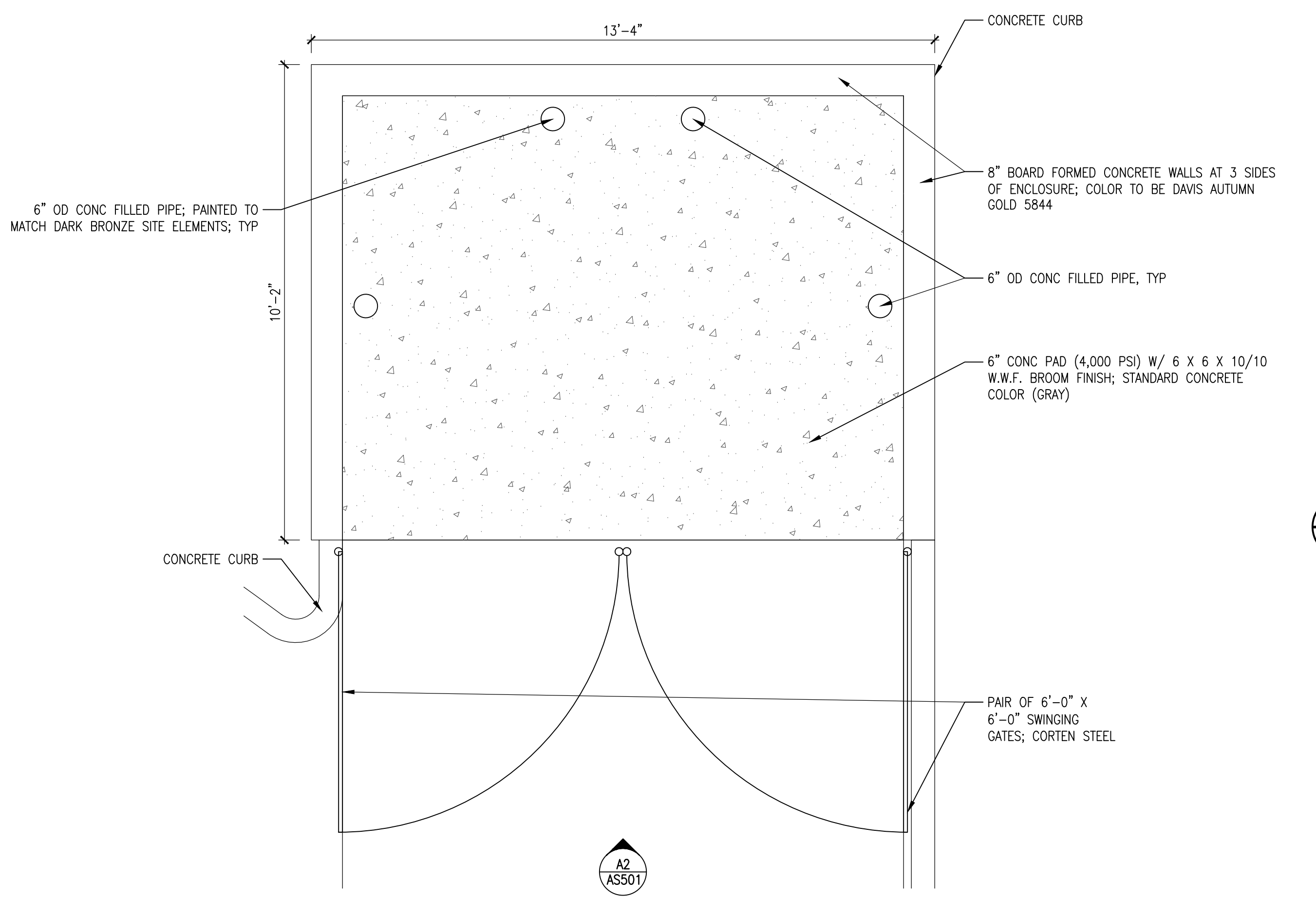
**A4** **AS501** EXST WALL @ E. SIDE OF PARKING TO REMAIN

SCALE: NTS



**B4** **AS501** RETRACTABLE BOLLARD DETAIL

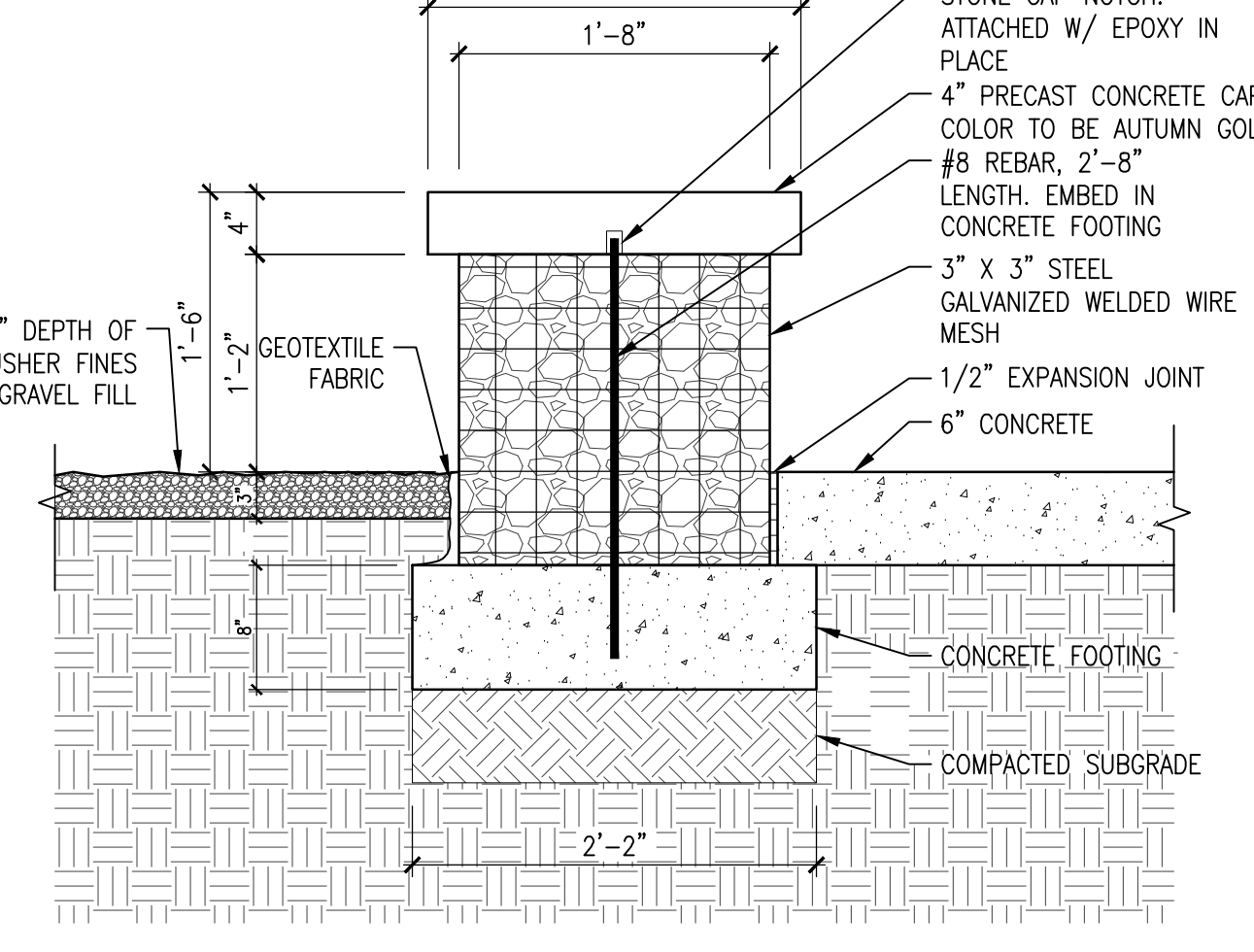
SCALE: N.T.S.



**D4** **AS501** TYPICAL GABION BENCH DETAIL

KEYED NOTE #22

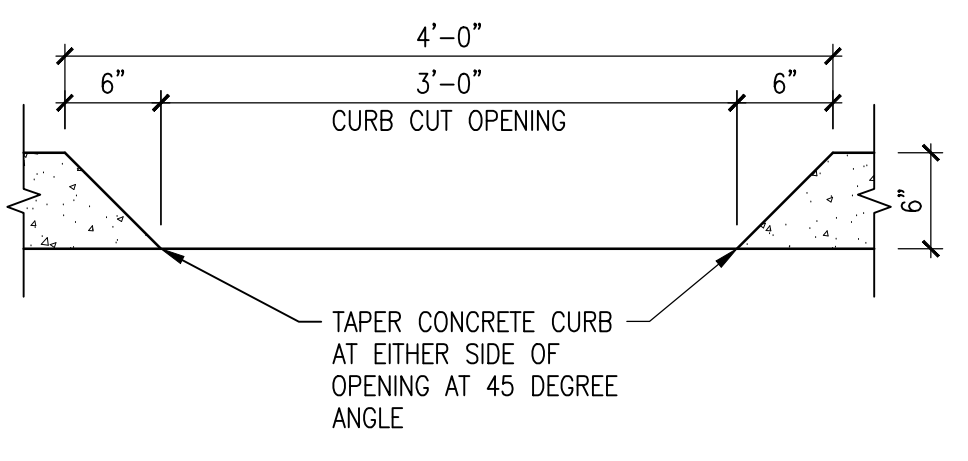
SCALE: 1" = 1' - 0"



**C4** **AS501** TYPICAL GABION BENCH DETAIL

KEYED NOTE #22

SCALE: 1" = 1' - 0"



**C5** **AS501** CURB CUT DETAIL

SCALE: 1" = 1' - 0"

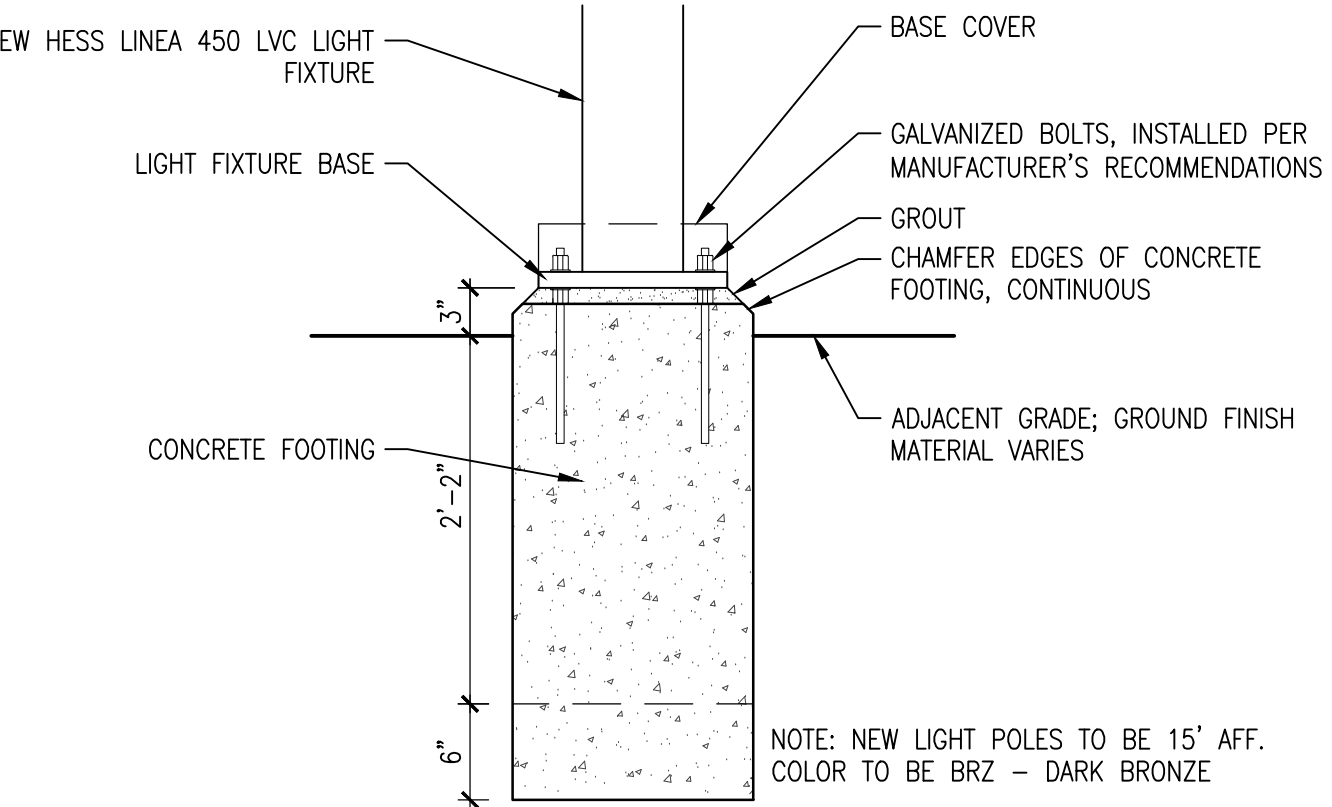
**A3** **AS501** EXST FENCE @ W. SIDE OF PARKING TO REMAIN

SCALE: NTS



**A2** **AS501** EXST LIGHT POLE IN PARK TO REMAIN

SCALE: NTS

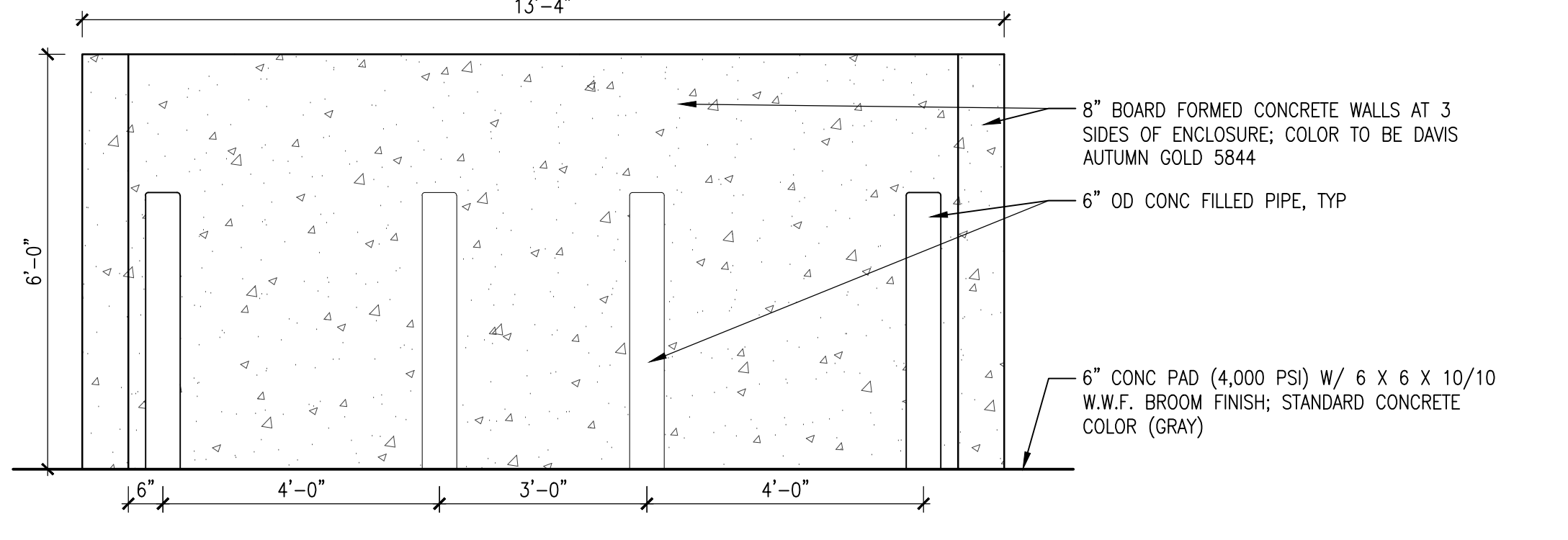


**A1** **AS501** LIGHT POLE DETAIL

SCALE: 1/2" = 1' - 0"

**B2** **AS501** REFUSE ENCLOSURE ENLARGED PLAN

SCALE: 1/2" = 1' - 0"

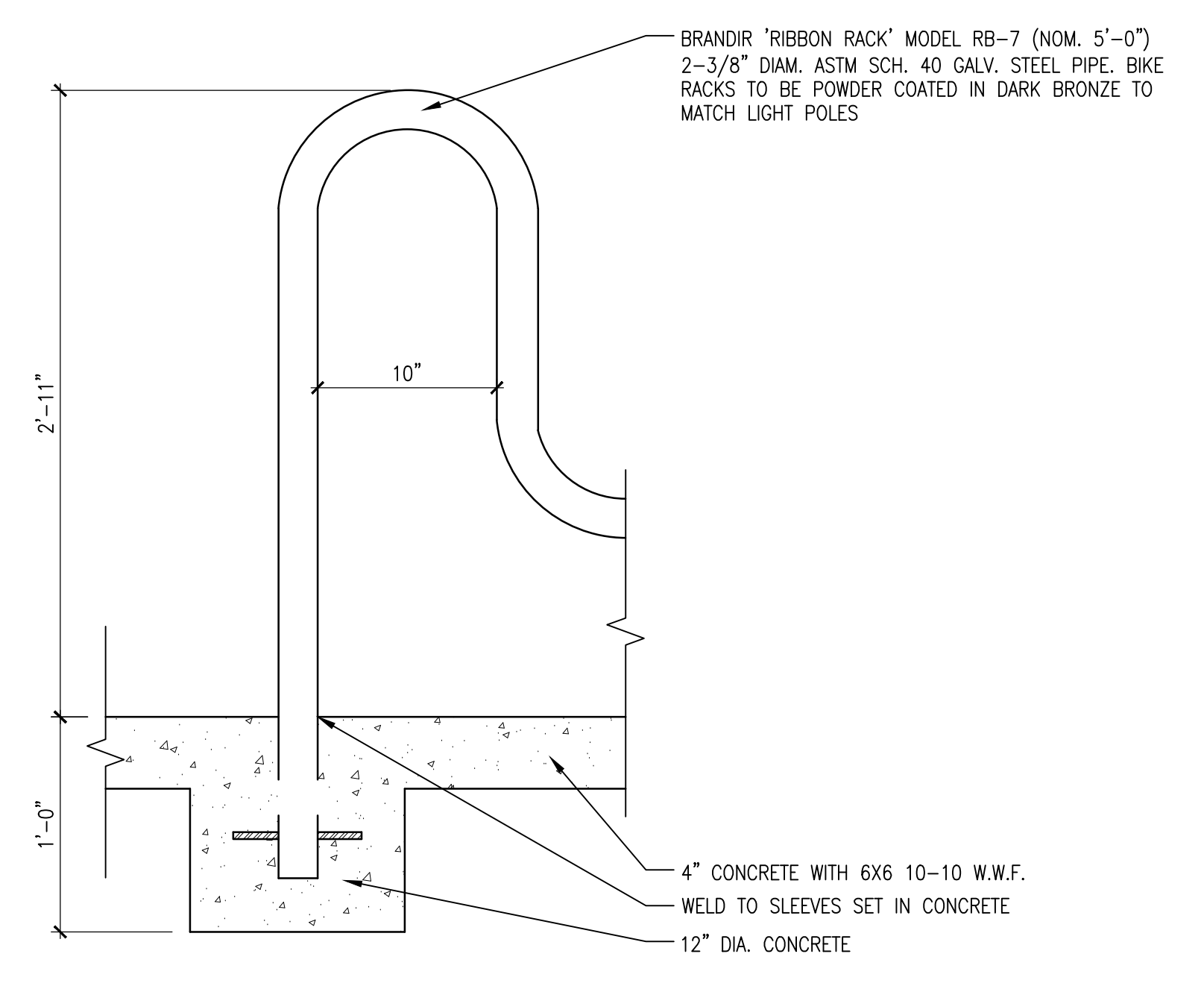


**A2** **AS501** REFUSE ENCLOSURE ELEVATION

SCALE: 1/2" = 1' - 0"

**A4** **AS501** BICYCLE RACK DETAIL

SCALE: 1 1/2" = 1' - 0"



AS-BUILT INFORMATION	
CONTRACTOR	DATE

BENCH MARK	
NO.	DATE

SURVEY INFORMATION	
FIELD NOTES	DATE

DESIGN DEVELOPMENT	
NO.	DATE

**DESIGN DEVELOPMENT NOT FOR CONSTRUCTION**

NO.	DATE	REVISIONS/REMARKS	BY

CITY OF ALBUQUERQUE / FAMILY & COMMUNITY SERVICES	
SINGING ARROW COMMUNITY CENTER	
TITLE: <b>SITE DETAILS</b>	
Design Review Committee	City Engineer Approval
City Project No. <b>5441.95</b>	Zone Map No. <b>L-22-Z</b>