



# City of Albuquerque

## Planning Department

**Timothy Keller, Mayor**

**January 15, 2025**

---

**To:** All Users of the City of Albuquerque Standard Specifications for Public Works Construction

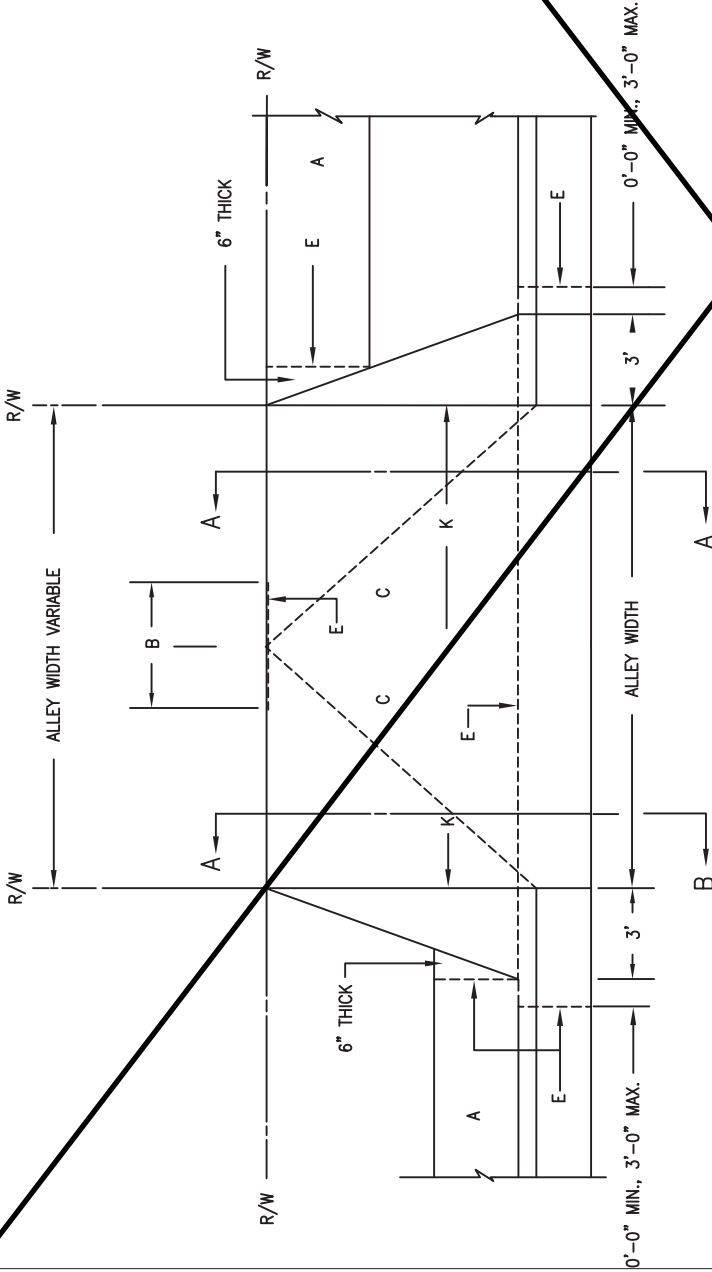
**From:** Shahab Biazar, City Engineer, Planning Department

**Subject:** Standard Drawing #2428 Approval Rescinded

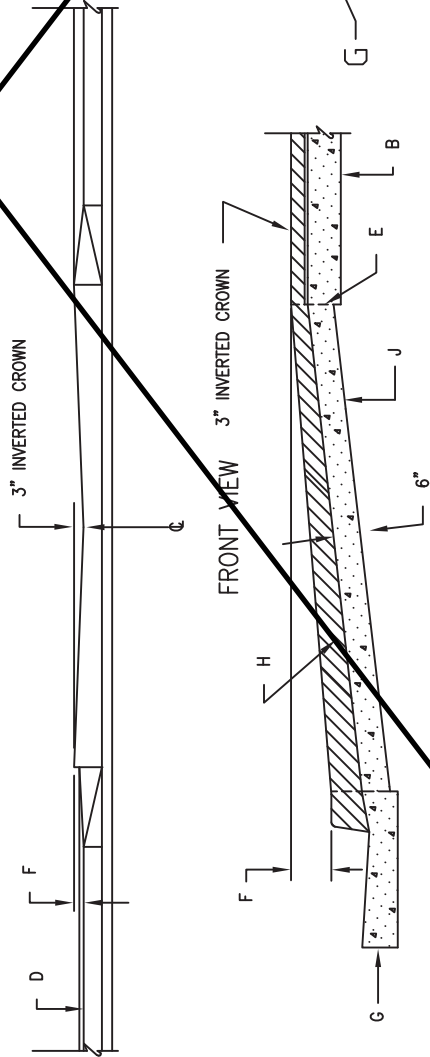
Please note that Standard Drawing #2428, Alley Intersections is no longer approved for use. A site-specific design must be provided that addresses ADA compliance and City water-block requirements.

**CONSTRUCTION NOTES:**

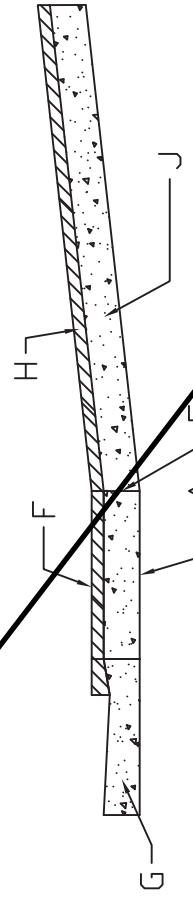
- A. SIDEWALK.
- B. ALLEY GUTTER, SEE DWG.'S 2411, 2415.
- C. TRANSITION FROM 3" INVERTED ALLEY CROWN TO NO CROWN AT BACK OF CURB.
- D. TOP OF CURB.
- E. 1/2" EXPANSION JOINT.
- F. TOP OF SIDEWALK AT PROPERTY LINE SHALL BE 0.33' ABOVE TOP OF CURB.
- G. CURB AND GUTTER.
- H. SLOPE TO BE ADJUSTED TO PROVIDE A UNIFORM TRANSITION BETWEEN DRIVEPAD AND SIDEWALK.
- I. DRIVEPAD, PORTLAND CEMENT CONCRETE.
- K. WEAKENED PLANE, (SAW CUT OR SCORE TO 1/4 DEPTH OF SLAB).



PLAN



SECTION A - A



SECTION B - B

**THIS STANDARD DRAWING NO LONGER APPROVED.  
 PROVIDE SITE-SPECIFIC DESIGN  
 EFFECTIVE JANUARY 15, 2025**

REVISIONS	CITY OF ALBUQUERQUE
	PAVING ALLEY INTERSECTION
	DWG. 2428      JUNE 2019