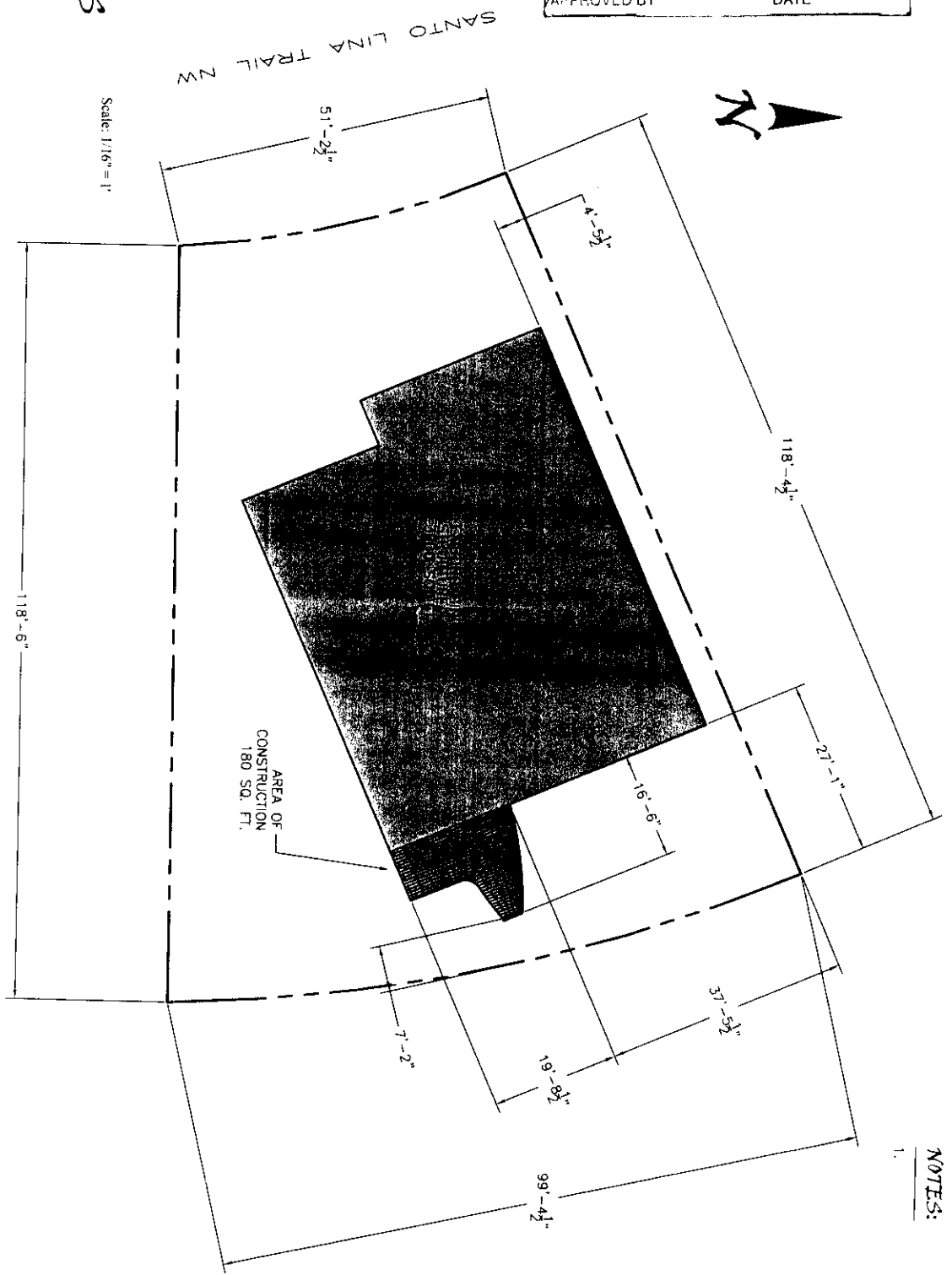


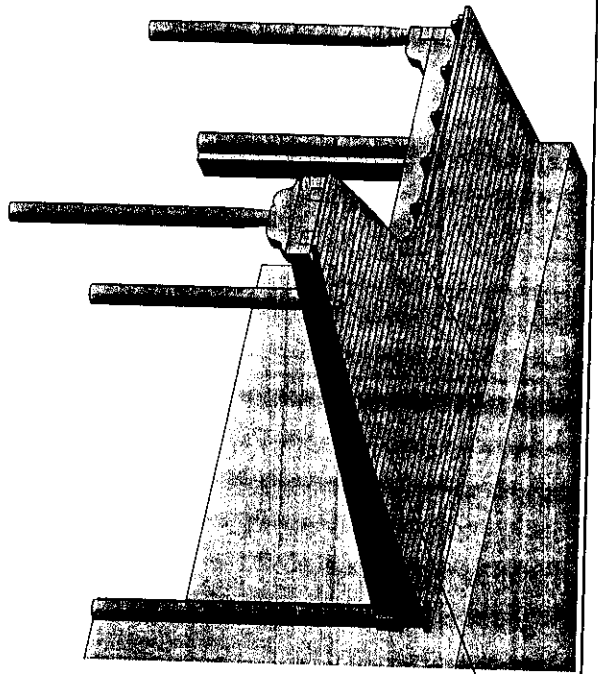
08AA-10021 1000493  
 Shade structure.  
 APPROVED BY *Russell Burt* DATE 22 Feb 2008

SETBACKS

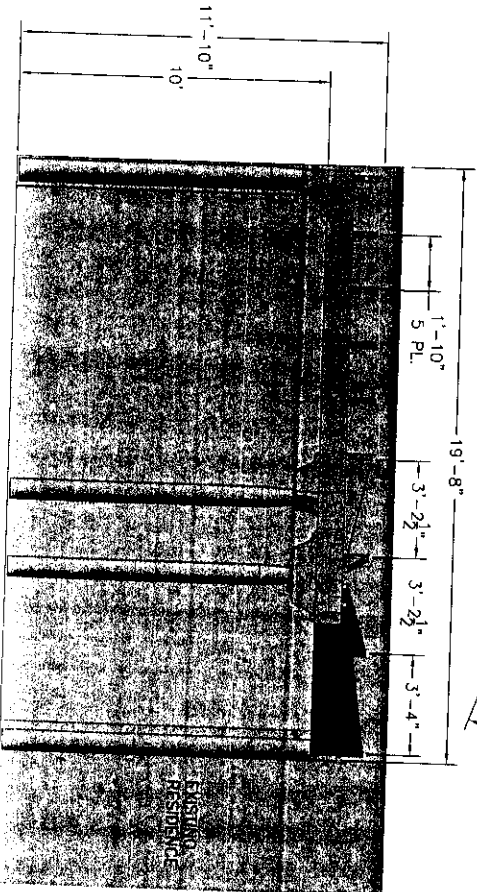
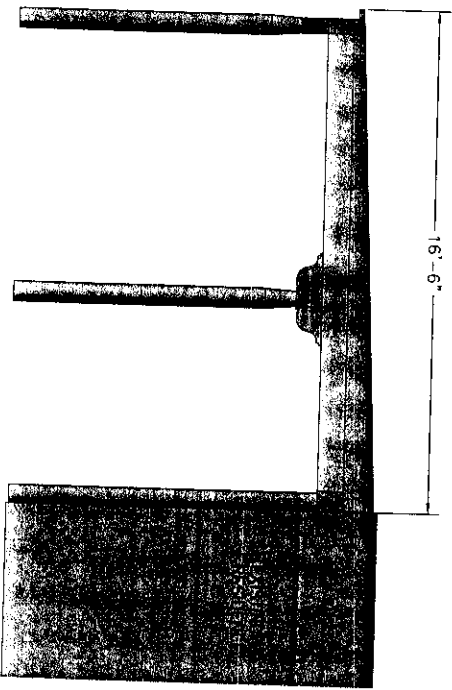
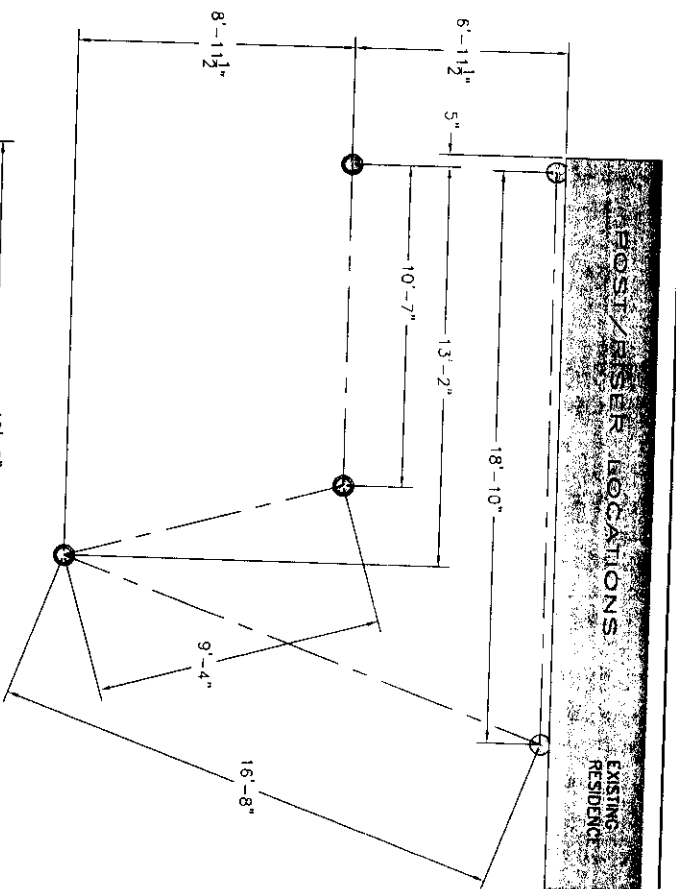
Homeowner:  
 Ken Wilmet  
 6624 Sonto Line Trl NW  
 Albuquerque, NM 87120



NOTES:  
 1.



2x6 ROUGH SAWN  
DECKING

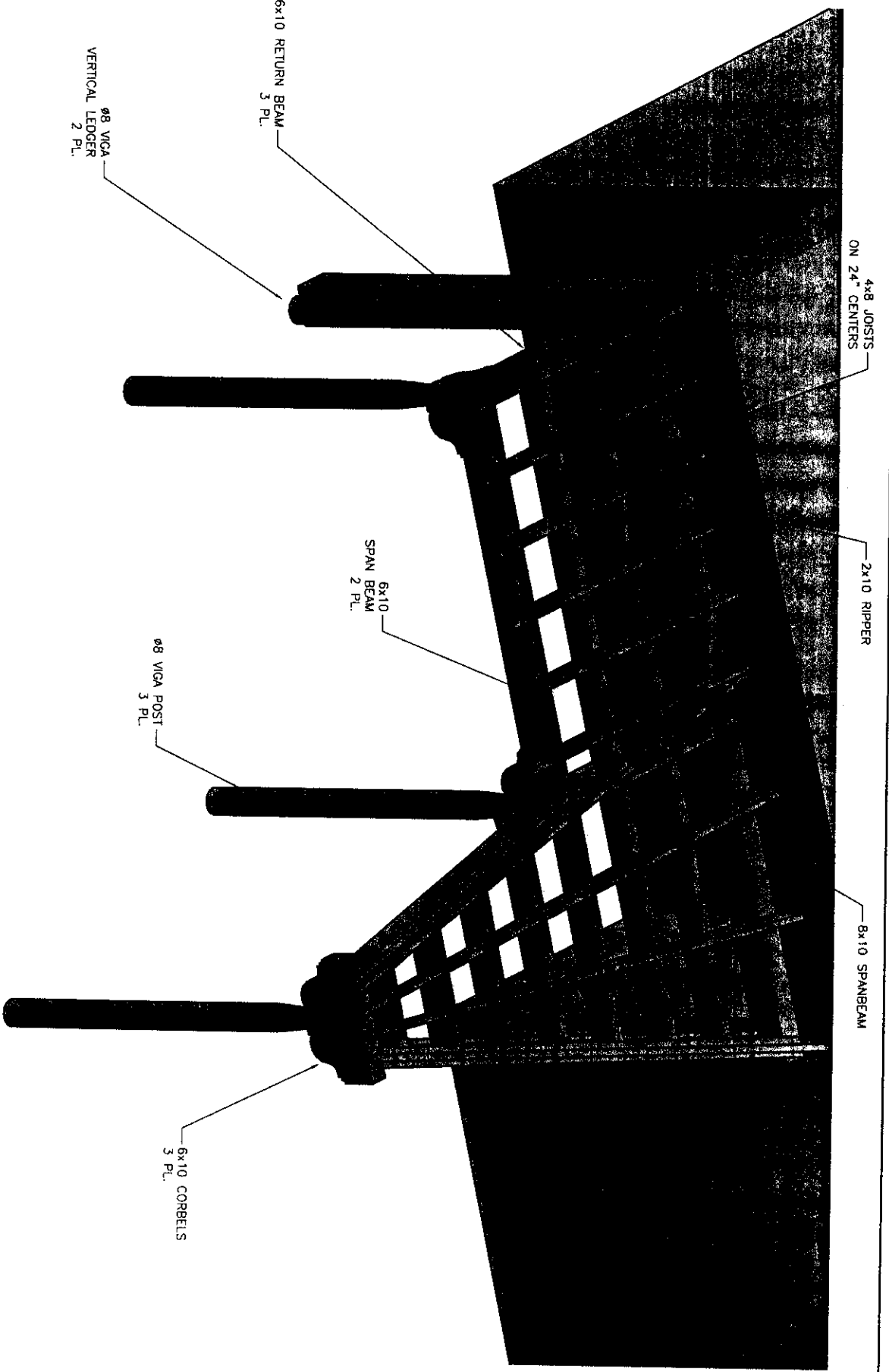


Scale: 1/4" = 1'

Hompson Inc.  
Ken Wilmet  
6624 Sonto  
Lino Tl, NW  
Albuquerque, NM 87120

PORTAL DIMENSIONS

Groff  
Lumber Company, Inc.  
DRAWN: SNT  
SHEET 2 OF 1  
DATE: 12-27-07



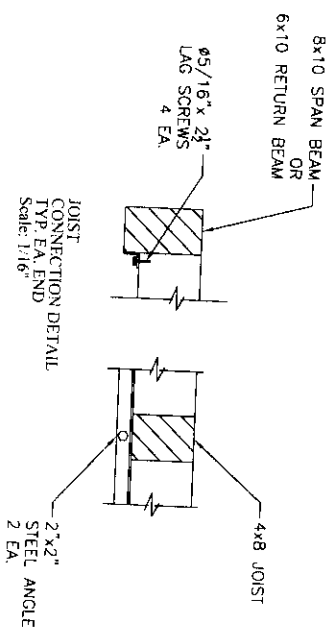
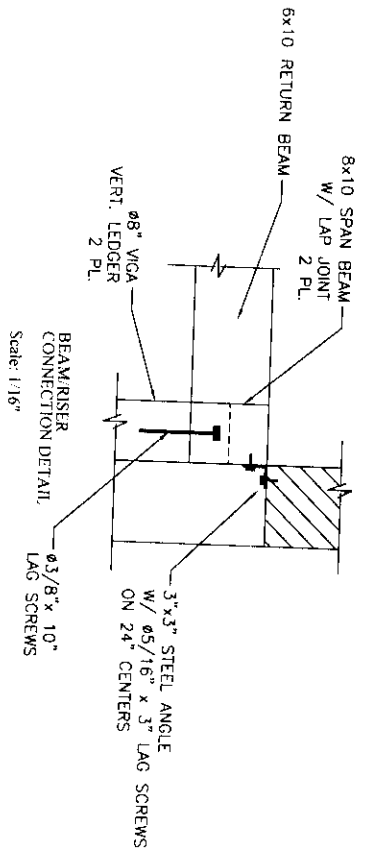
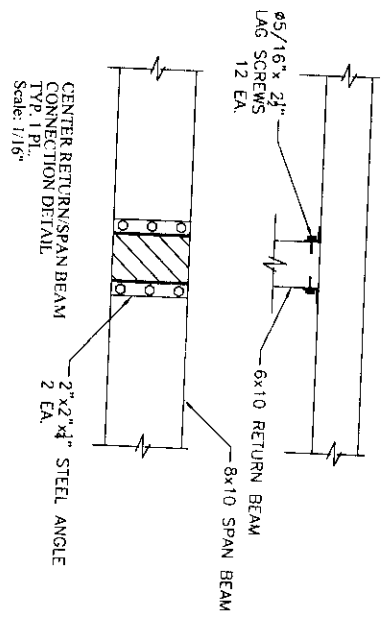
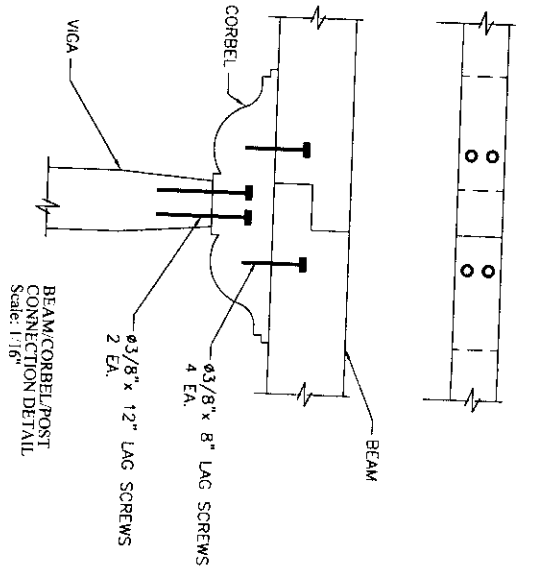
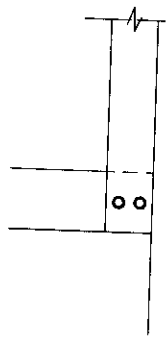
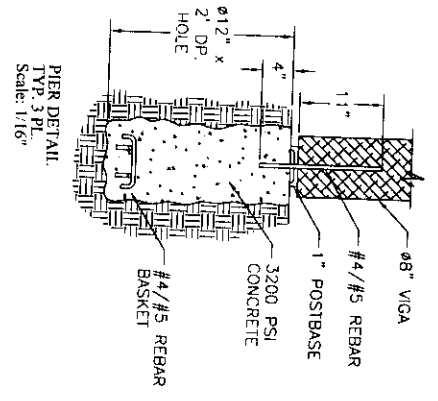
Homeowner:  
Ken Wilmet  
6624 Sonto, Lino Trl, NW  
Albuquerque, NM 87120

1. TIMBERS, VIGAS, POSTS & CORBELS TO  
BE PONDEROSA PINE.

NOTES:

PORTAL FRAMEWORK

Groff  
 Lumber Company, Inc.  
 Drawn by: SKT  
 Sheet 3 of 4  
 Date: 12/27/09



HERRINGBACH  
 Ken Wilmet  
 6624 Santeo  
 Albuquerque, NM 87120

# DETAILS